

Series

84

E-Stops and Stop Switches.

www.eao.com



Series 84

E-Stops and Stop Switches.

EAO offers intuitive, reliable and robust safety switches for the machinery industry: *The Series 84 emergency stop and stop switches have a compact, attractive design with a very low back panel depth.*

EAO, the expert partner for innovative, intuitive and reliable Human Machine Interfaces (HMIs), offers with the Series 84 emergency stop (E-Stop) and stop switches the most important safety control elements for machinery and industrial automation equipment with very low back panel depth (13.5 mm with cable connection) and an attractive design.

The intuitive Series 84 emergency stop and stop switches are particularly suitable for handheld and compact control units, where besides highest safety requirements also a very low back panel depth is critical and where the front of panel height as well as ergonomic styling are important design factors.

Installed directly on the machine or in a handheld control unit, these switches reliably protect humans from injury and machines from damage.

The compact design of the Series 84 emergency stop and stop switches makes it ideal for use in industrial machinery, process automation, and robotics as well as lifting, moving and material handling equipment.

The robust mono-block construction and a choice of terminals allow easy mounting in modern safety control systems and help to meet the needs of industry standards for fail-safe actuation.

The actuation status of the switch is visible thanks to the green or black indication ring that is noticeable until actuated. LED illumination gives additional status information and can also be used to locate the switch, even in low ambient light conditions.

Typical applications

- Industrial or process automation equipment
- Machinery, in particular for handheld control units
- Robotics
- Material handling and lifting platforms
- Medical devices

Product range

All E-Stops and stop switches are available either with solder/plug-in terminal or flat ribbon cable (300 mm).

The switching element is available with a double break contact with either

- a normally closed contact (NC)
- two normally closed contacts (NC)
- a normally closed contact (NC) and a normally open contact (NO)

The normally closed contacts are force-operated according to EN IEC 60947-5-1 and can switch voltages and currents from 1 VAC/DC / 1 mA (1W) thanks to highly reliable, gold-plated silver contacts.

Mechanical characteristics

- Mounting cut-out 22.3 mm
- Operation force 17 N ± 4 N

Mechanical life

EAO tested: more than 250 000 cycles of operation

Illumination

New and improved LED illumination results in greater visibility even in ambient light conditions. The integrated red LED is equipped with reverse polarity protection and a constant current source, all while maintaining a constant brightness at operating voltages from 5VDC to 30VDC.

Switching capacity

Alternating voltage with gold-plated silver contacts
Utilisation category AC-15, according to EN IEC 60947-5-1

Voltage	120 VAC	240 VAC
Current	3 A	1.5 A

Direct voltage with silver contact (gold-plated)
Utilisation category DC-13, according to EN IEC 60947-5-1 (inductive)

NO Contacts (48 VA)	NC Contacts (60 VA)	NO/NC Contacts
12 VDC / 2,0 A	12 VDC / 2,5 A	125 VDC / 0,22 A
24 VDC / 2,0 A	24 VDC / 2,5 A	250 VDC / 0,11 A
48 VDC / 1,0 A	48 VDC / 1,25 A	
60 VDC / 0,8 A	60 VDC / 1,0 A	

Advantages.

- Robust mono-block with a foolproof and fail-safe design
- Very low back panel depth
- Attractive, modern design and protection IP65, IP66, IP67
- Reliable and long service life
- Clearly visible illumination

Recommended operating data

	Minimum	Maximum
Voltage	1 VAC/DC	250 VAC/DC
Current	1 mA	0.27 A
Power	1 Watt	67.5 Watt

Degree of protections

- IP65, IP66, IP67 front side
- IP20 cable version

Temperatures

- Storage temperature
–25 °C to +85 °C
- Operating temperature
–25 °C to +65 °C

Climate resistance

- Humid heat, cyclical
96 hours, +25 °C/97%, +55 °C/93% relative humidity
- Humid heat, constant
56 days, +40 °C/93% relative humidity
- Dry heat, 96 hours, +70 °C
- Cold, 96 hours, –40 °C
- Salt spray, 96 hours,
+35 °C (in NaCl solution)

Standards and directives

- Approvals
 - EN 60947-5-1 / EN 60947-5-5
 - DIN EN ISO 13850
 - EN IEC 60204
 - UL Cat NISD 508
 - CCC
- Conformities
 - CE

Mounting

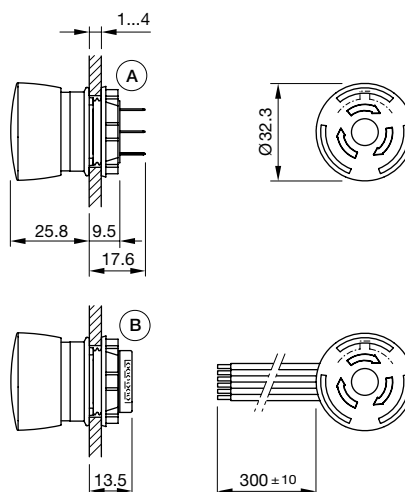
The mounting of the emergency stop and stop switch is performed on the front panel side with the aid of the fixing nut. The anti-rotation device is secured with a cam via its hole shape. The electrical connection takes place using plug-in terminal pairs, which can also be soldered on.

Accessories

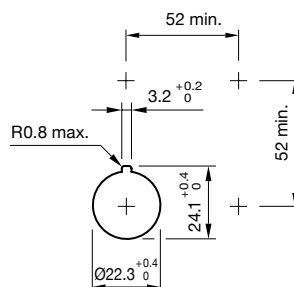
The direct mounting onto the printed circuit board can take place by means of an adapter (part no. 84-920). Further accessories such as mounting tools, protective shrouds or marking plates can be found in the EAO product catalogue.

Further information and the Online Product Configurator are available under www.eao.com/84-e-stop

Dimensions



Mounting cut-outs



All dimensions in mm.

EAO Contact.

Your centre of excellence.

Headquarters

EAO Holding AG
Tannwaldstrasse 88
CH-4600 Olten
Telephone +41 62 286 92 00
info@eao.com

Manufacturing Companies

Switzerland
EAO AG
Tannwaldstrasse 88
CH-4600 Olten
Telephone +41 62 286 91 11
info@eao.com

EAO Systems AG
Tannwaldstrasse 88
CH-4600 Olten
Telephone +41 62 286 91 11
sales.esy@eao.com

China
EAO (Guangzhou) Ltd.
3/F, Block G4, South China
New Materials Innovation Park
31 Kefeng Road
Guangzhou Science City
CN-Guangzhou, PRC
Telephone +86 20 3229 0390
sales.ecn@eao.com

Germany
EAO Automotive GmbH & Co. KG
Richard-Wagner-Straße 3
DE-08209 Auerbach/Vogtland
Telephone +49 3744 8264 0
sales.esa@eao.com

North America
EAO Corporation
One Parrott Drive
Shelton
US-CT 06484
Telephone +1 203 951 4600
sales.eus@eao.com

Sales Companies

China
EAO (Guangzhou) Ltd.
3/F, Block G4, South China
New Materials Innovation Park
31 Kefeng Road
Guangzhou Science City
CN-Guangzhou, PRC
Telephone +86 20 3229 0390
sales.ecn@eao.com

EAO (Shanghai) Office
Rm.401, Lihpao Plaza,
NO.159 Shenwu Road,
Minhang District,
CN-Shanghai, 201106.
PRC
Telephone +86 21 6095 0717
sales.ecn@eao.com

France
EAO France SAS
Nextdoor – Bâtiment Silex
15 rue des Cuirassiers
CS 33821
FR-69487 Lyon Cedex O3
Telephone +33 9 74 18 93 41
sales.eifr@eao.com

**Germany, Austria, Czech Republic,
Poland, Slovakia**
EAO GmbH
Langenberger Straße 570
DE-45277 Essen
Telephone +49 201 8587 0
sales.ede@eao.com

Hong Kong (Asia Pacific)
EAO (Far East) Ltd.
Unit A1, 1/F, Block A
Tin On Industrial Building
777 Cheung Sha Wan Road
Lai Chi Kok, Kln
HK-Hong Kong
Telephone +852 27 86 91 41
sales.ehk@eao.com

Italy
EAO Italia S.r.l.
Centro Direzionale Summit –
Palazzo D1
Via Brescia 28
IT-20063 Cernusco sul Naviglio (MI)
Telephone +39 029 247 0722
sales.eit@eao.com

Japan
EAO Japan Co. Ltd.
Net 1 Mita Bldg. 3F
3-1-4 Mita Minato-ku
JP-Tokyo 108-0073
Telephone +81 3 5444 5411
sales.ejp@eao.com

Netherlands, Belgium
EAO Benelux B.V.
Kamerlingh Onnesweg 46
NL-3316 GL Dordrecht
Telephone +31 78 653 17 00
sales.enl@eao.com

North America
EAO Corporation
One Parrott Drive
Shelton
US-CT 06484
Telephone +1 203 951 4600
sales.eus@eao.com

Switzerland
EAO Schweiz AG
Tannwaldstrasse 86
CH-4600 Olten
Telephone +41 62 286 95 00
sales.ech@eao.com

**United Kingdom, Denmark,
Finland, Ireland, Norway, Sweden**
EAO Ltd.
Highland House
Albert Drive
Burgess Hill
GB-West Sussex RH15 9TN
Telephone +44 1444 236 000
sales.euk@eao.com