



EASY CONTRAST

CONTRAST
MEASUREMENT
SYSTEM

komax



 EasyContrast
by Laselec

EASY CONTRAST

Make it easier to check wire marking

The ideal tool for verifying the quality of a laser mark on wire, EasyContrast ensures accurate and repeatable contrast measurement in compliance with EN 3475 – 705 and SAE AS 4373 standards.

EasyContrast is designed to satisfy the latest quality requirements of the aerospace industry such as Airbus's AIPS and Boeing's BAC5152 standards.

The EasyContrast certified calibration block guarantees accurate results over the long term.

EasyContrast is very easy to use and allows you to observe the contrast on all types of white and light colored cables in record time and to produce complete and comprehensive measurement reports.

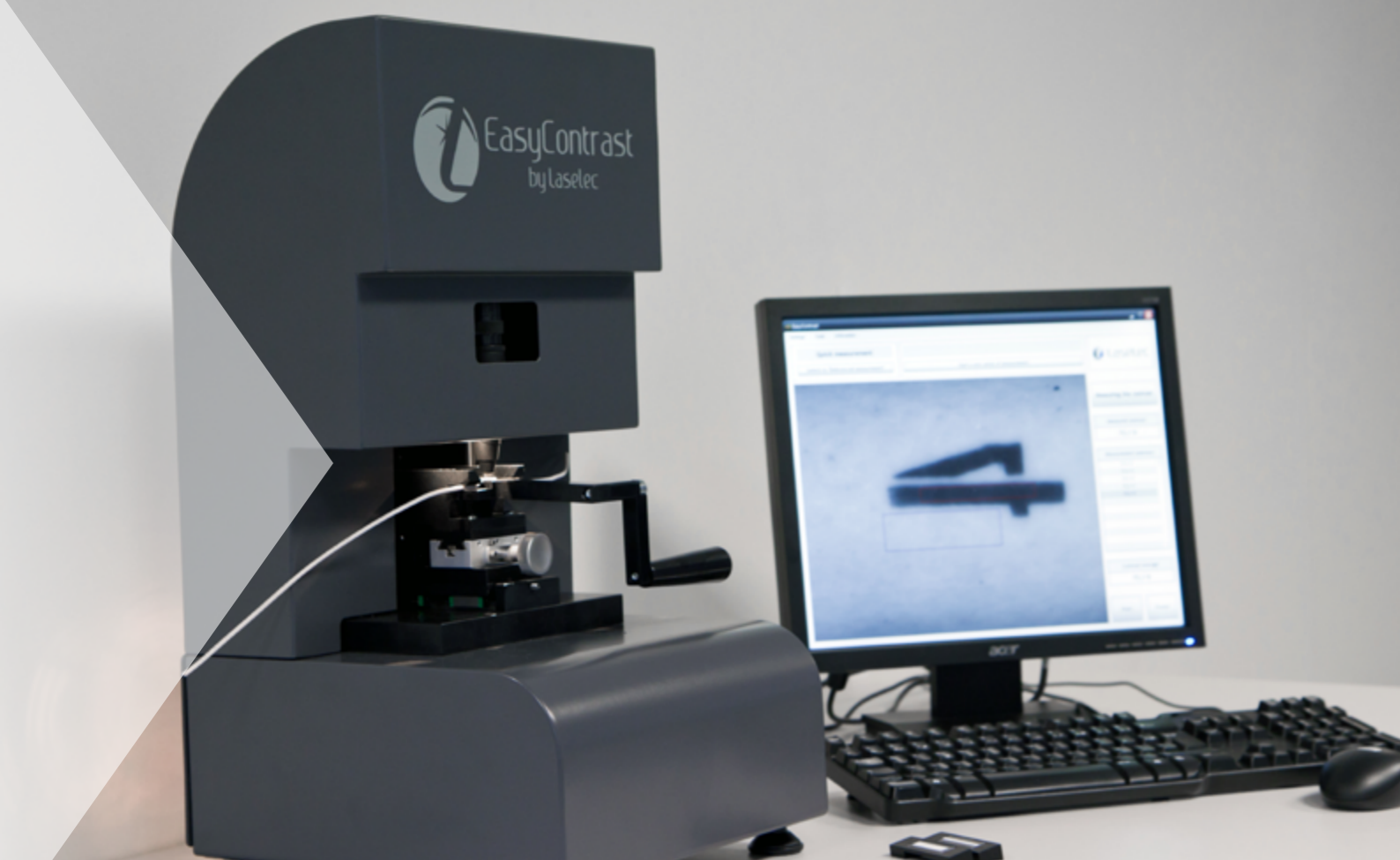
TRACEABILITY

EasyContrast has a "referenced measurement" mode with traceability and report editing functions.

Specific software allows cable production tracking.

EasyContrast is the preferred partner for contrast verification and cable production tracking.

▶ EasyContrast ensures accurate and continuous quality contrast measurement.



Contrast measurement

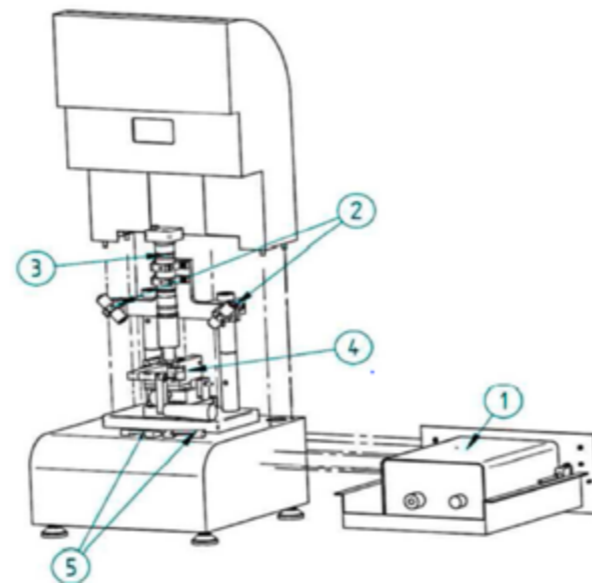
Standards	EN 3475-705 and SAE AS 4373
Measurement range	0 % - 99 % (on white and coloured cables)
Accuracy	< 1 %
Reproducibility	< 0,5 %
Contrast calculation time	Instant measurement
Lighting	Integrated halogen lamp with automatic switch-off
Heating time	2 minute warm-up time
Lighting adjustment	Automatic adjustment of lighting parameters by using the white sample supplied with the system
Stray light	Insensitive to ambient stray light and reflections generated by the cable outside measuring areas
Measuring field	2. 65 mm x 2 mm
Measurement area	Various sizes and positions over the whole measuring field
Calibration	Use of a specific certified standard Calibration recommended once a year
Contrast check	Use of contrast standard provided with the system Time interval between two checks can be configured in the system
Focus adjustment	Manually changing the focus is very useful for identifying twisted cables and obtaining perfectly sharp inspection images.

SYSTEM

The fully enclosed optical-mechanical system of the unit integrates:

- A source of halogen light (1)
- A 45 degree double-track lighting system with high homogeneity (2)
- A stray-light-free video acquisition system (3)
- A versatile and ergonomic cable / wire holder (4)

The system includes specific software for contrast measurement, archiving and traceability of measurements and reports.

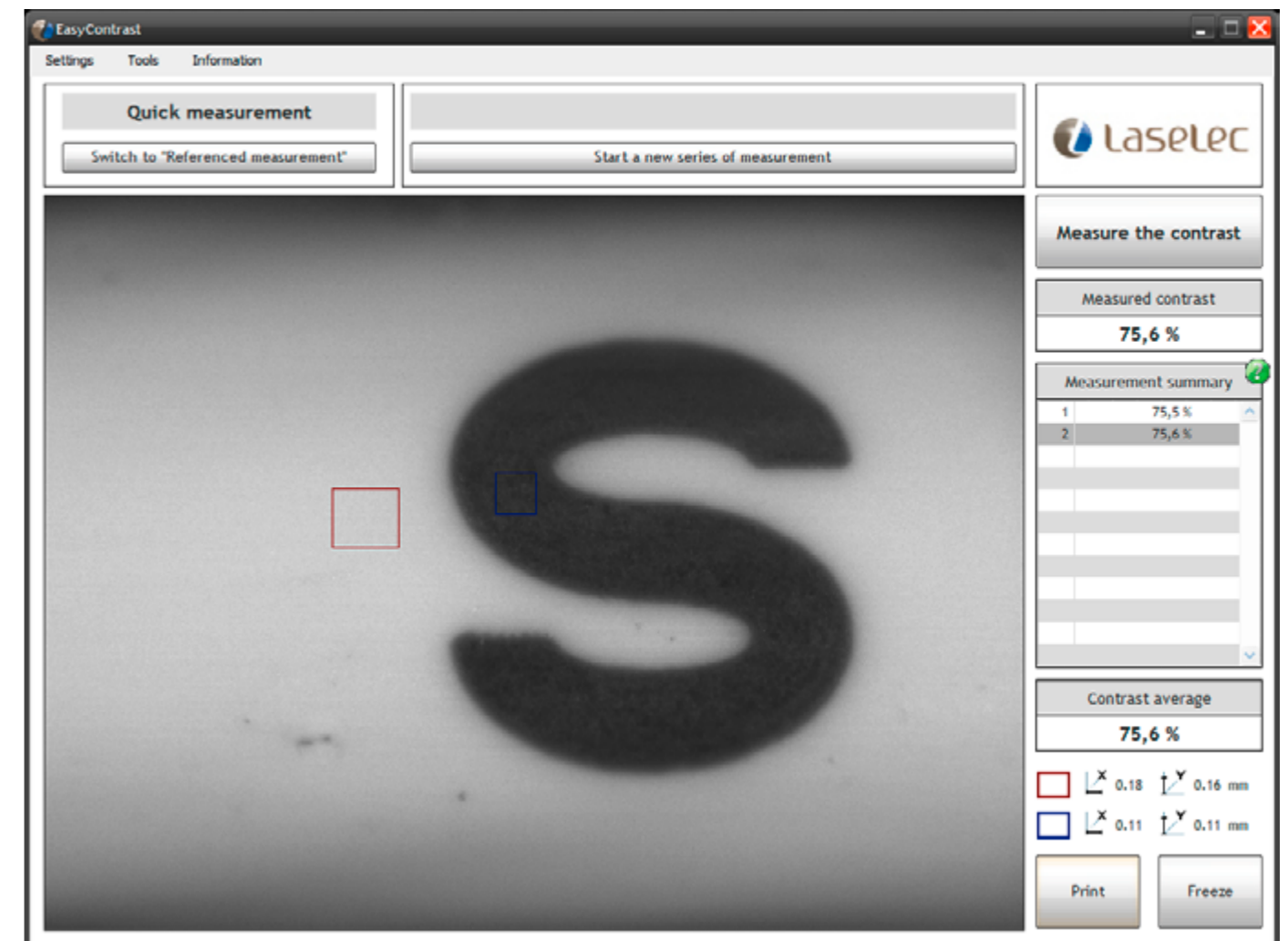


The system is supplied with a box containing:

- A "white sample" allowing automatic adjustment of lighting parameters
- A "contrast standard" with 5 different contrast marks used for regular verification of system performance.

Technical specifications (excluding PC)

Dimensions (L x W x H)	300 mm x 340 mm x 570 mm
Weight	20 kg
Electrical supply	90-230 VAC : 50-60 Hz
PC connectivity	USB 2.0
Warranty	12 months parts and labour
Conformity	EC Standard



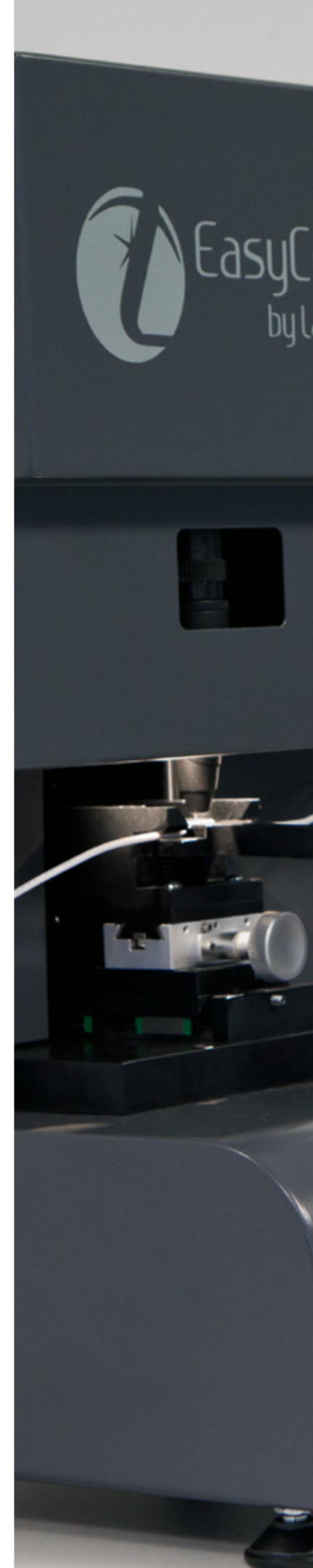
Wire holder

Wire diameters	0.75 mm to 10 mm
Wire types	Single wire or multi-stand wire. White or clear colour.
Wire length	≥ 60 mm
User preference	Right or left-handed
Quick placement range	20 mm length tuning for a quick and precise positioning of samples
Loading the standard or white sample	Quick installation and release through a mechanical device

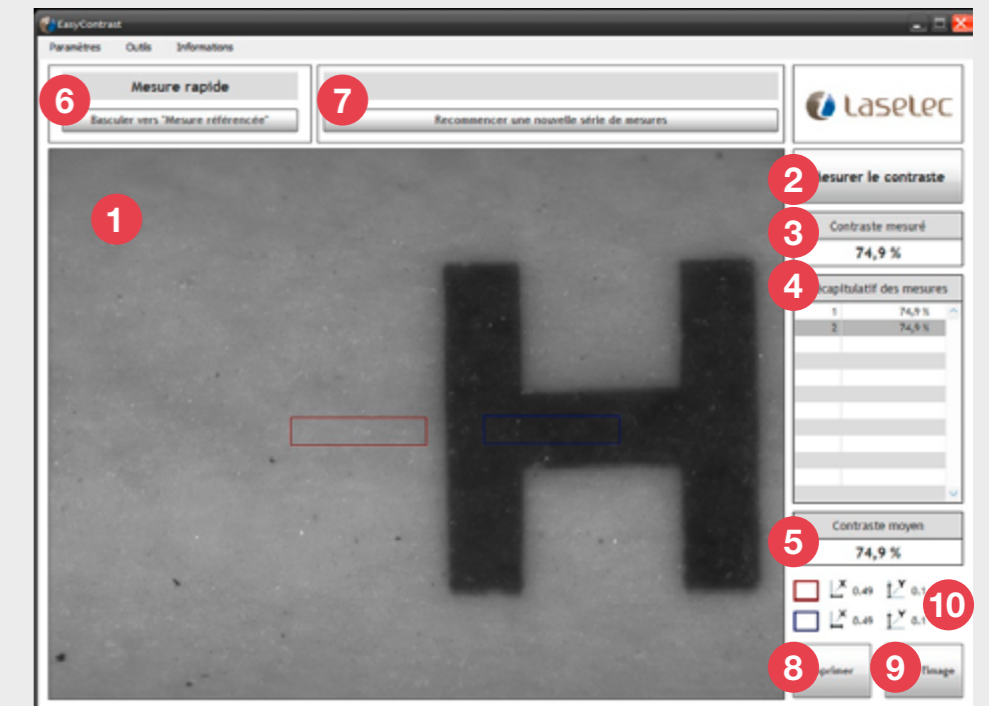


Software

Environment	Microsoft Windows 10
Minimum system requirement	4GB memory, Intel® Core™ i3 processor, 1024x768 screen, 4GB available disc space
Installation	With one click using the CD-ROM or pre-installed on the PC (optional)
Operating modes	Two working modes: "Quick measurement" for simple and fast use and a "referenced measurement" mode that allows users to input information and save data
User management	Basic user level with restricted access to basic functions Advanced user level with management of other users and advanced functions
Traceability features	Search function by keywords, reference, creator, etc. Document closure function
Report printing	Paper or PDF with all information related to the company and the measurements made
Calibration function	Guides the user during calibration. Operation duration < 1 minute
Contrast checking feature	Guides the user and informs them of the validity of the contrasts measured over the entire range. Operation duration < 1 minute
Image capture	Image capture function in BMP format for microscopic inspection use
Dimension measurements	Indication of the size (in mm) of the areas on the display window



SOFTWARE INTERFACE



1. Visualization window
2. Carrying out a measurement
3. Result of the last measurement
4. Summary of measures
5. Average measured value
6. Current measurement mode
7. Options of selected mode
8. Print
9. Freeze the image
10. Dimensions of the measuring rectangles

MAINTENANCE

Bulb

Annual replacement of bulb (depending on use and automatic standby setting). A spare bulb is provided with the system. The lighting parameters are automatically adjusted using the white sample supplied with the system.

Cleaning

Dust must be removed regularly with dry air from the measurement area, contrast calibration block and white sample.

Komax – leading the field now and in the future

As a pioneer and market leader in the field of automated wire processing, Komax provides its customers with innovative and sustainable solutions for any situation that calls for precise contact connections. Komax manufactures series and customer-specific machinery for various industries, catering to every degree of automation and customization. Its range of quality tools, test systems, and intelligent networking solutions complete the portfolio, and ensure safe and efficient production. Komax is a globally active Swiss company with development and production facilities on several continents. Komax uses its extensive distribution and service network, which includes local companies and their employees, to support customers across the world on site, thus ensuring the availability and value of their investments after equipment commissioning through standardized service processes.

Komax Laselec S.A.
15 rue Boudeville
31100 Toulouse, France
Phone +33 (0) 582 950 555
info.tls@komaxgroup.com

komax
komaxgroup.com