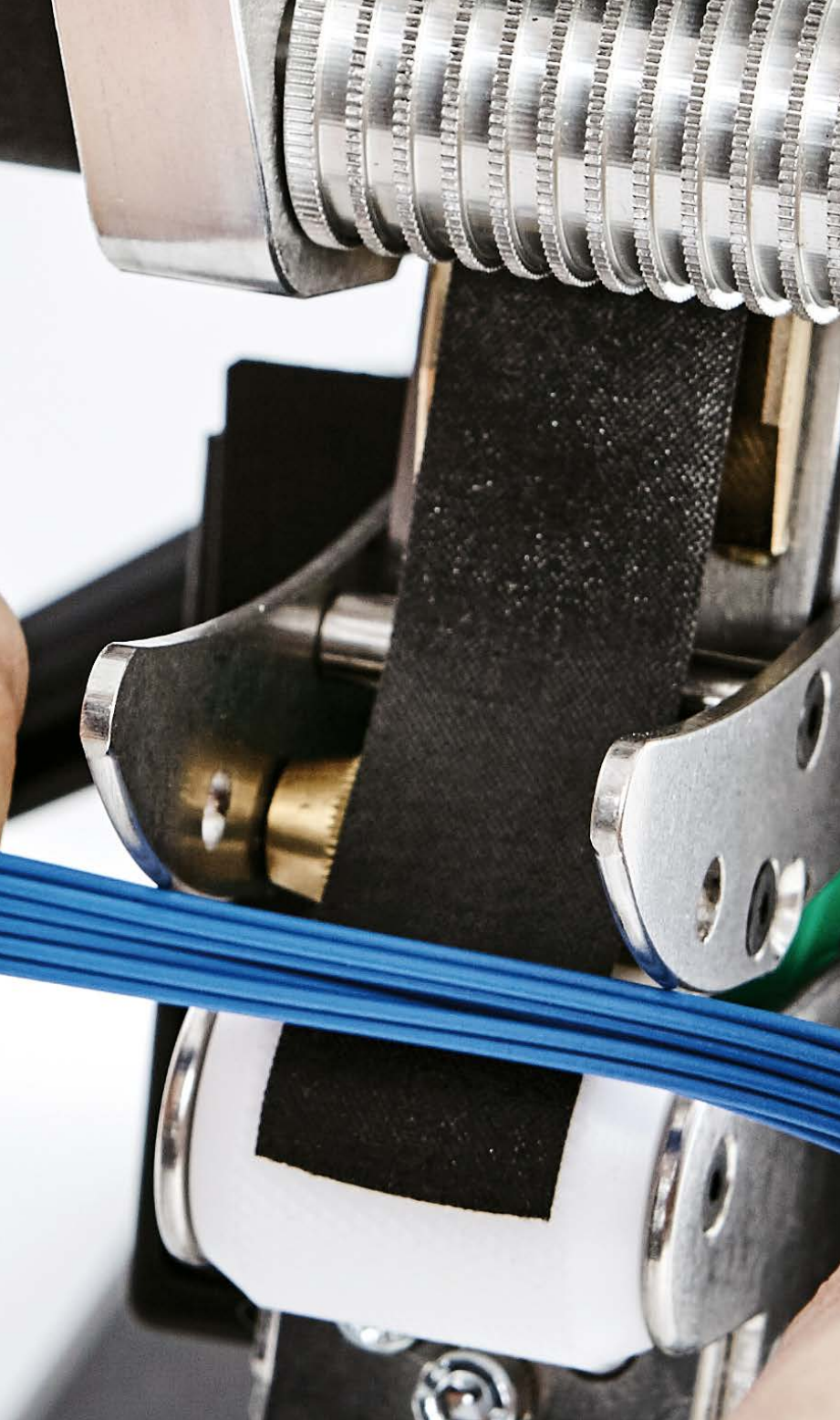




KTB P SERIES

Spot taping machines

komax



KTB P SERIES

The perfected classic

Compact design, high level of vertical integration and low maintenance: The KTB P pneumatic spot taping machine combines numerous customer benefits in one single device. And has been doing for over 25 years: The KTB P is a tried-and-tested, high-quality machine that Komax is continually enhancing and developing to perfection.

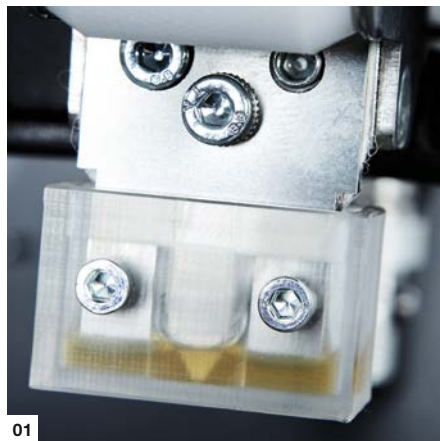
It delivers maximum performance without requiring electricity: This spot taping machine is powered with compressed air, ideal for spot-taping wire harnesses as well as taping and marking wires. Four different models are available depending on the width of tape used:

- KTB 19 P (ideal for taping and spot taping wire harnesses)
- KTB 38 P (ideal for insulating splices)
- KTB 50 P (ideal for insulating splices)
- KTB 40/30 P (special-purpose machine for large wire diameters of up to 35 millimeters)

Faster production – lower costs

The KTB P not only saves 50 percent production time compared to manual production, it also generates enormous material cost savings – costs up to 80 percent less than for heat-shrink tubing. The tape length can be freely adjusted to the wire diameter using adjustable sleeves. Another advantage is the tape pre-feed included as standard. This helps to process tapes with high pull-off forces.

Always perfectly oiled: An oil reservoir is attached to the lower blade to supply the correct amount of oil to the blade using a felt and at the same time clean residues of adhesive off the blade. It also reduces the wear on this high-quality blade.



01

01
The oil level can be checked easily on the oil reservoir. It is quick and easy to refill.



02

02
The tape length can be easily adjusted via the adjustment sleeve to suit requirements.



03

03
The KTB 40/30 P is the ideal solution for large wire diameters and for insulating intermediate nodes (such as battery wires).

No power connection required

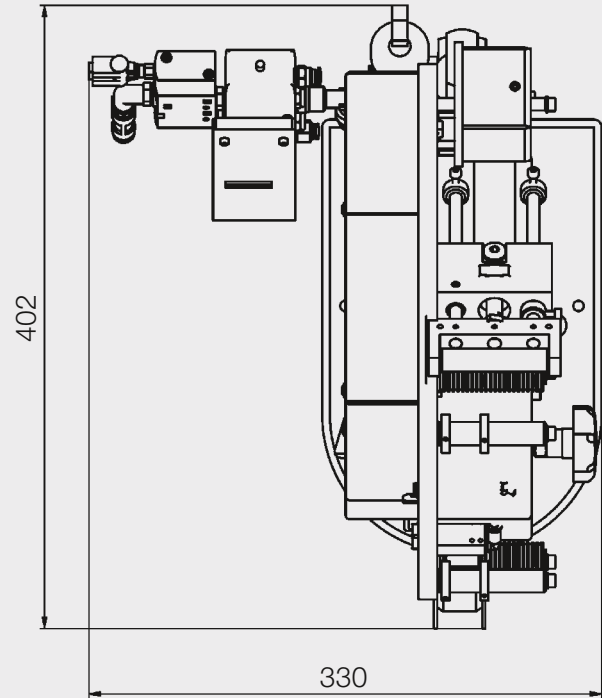
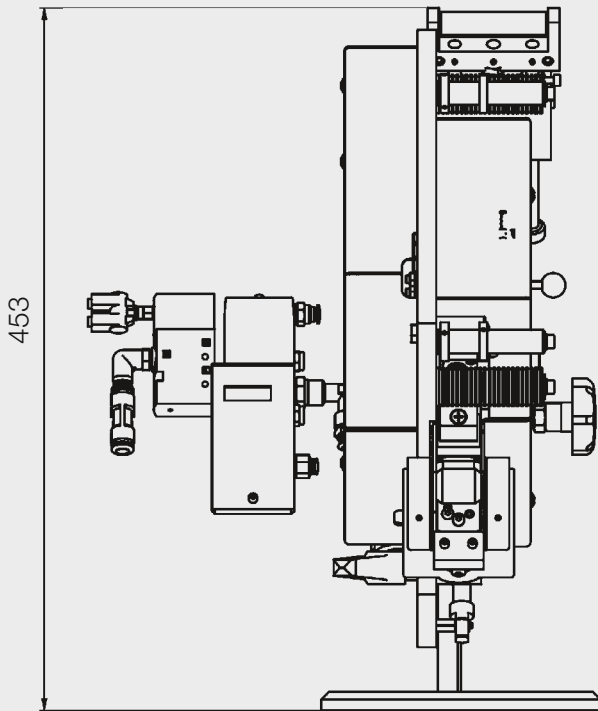
- Fully pneumatic operation.
- Compressed-air connection is located directly on the device.
- Compact machine which can be quickly integrated into every production line.

Attractive price-performance ratio

- The perfect entry-level machine for automated spot taping.
- Reduced operator input ensures high-quality of spot taping.
- 50 percent faster production time compared to spot taping by hand.
- 80 percent material savings compared to heat-shrink tubing.

Less maintenance

- KTB P is fitted with a self-oiling blade.
- Low-maintenance design. All maintenance activities can be carried out by operators with limited technical knowledge.
- Tried-and-tested technology and high level of vertical integration guarantee superior quality.

**Technical data – The KTB P series**

Application	Spot taping, taping and marking of wire harnesses Insulating, spot taping, fixing and marking of wire harnesses	
Tape and wire harness data		
Wire harness diameter	KTB 19 P	3 – 16 mm
	KTB 38 P	3 – 16 mm
	KTB 50 P	3 – 16 mm
	KTB 40/30 P	15 – 35 mm
Adhesive tape materials	A range of automotive and industrial tapes	
Tape width	KTB 19 P	9 – 19 mm
	KTB 38 P	19 – 38 mm
	KTB 50 P	38 – 50 mm
	KTB 40/30 P	19 – 30 mm
Tape roll core diameter (standard)	1.5" and 3"	
Maximum tape roll outer diameter	Max. 160 mm	
Machine data		
Operating pressure	6 bar (0.6 MPa / 87 psi)	
Dimensions (H/W/D)	453 × 330 × 402 mm	
Weight	15 kg	

Komax – leading the field now and in the future

As a pioneer and market leader in the field of automated wire processing, Komax provides its customers with innovative and sustainable solutions for any situation that calls for precise contact connections. Komax manufactures series and customer-specific machinery for various industries, catering to every degree of automation and customization. Its range of quality tools, test systems, and intelligent networking solutions complete the portfolio, and ensure safe and efficient production.

Komax is a globally active Swiss company with development and production facilities on several continents. Komax uses its extensive distribution and service network, which includes local companies and their employees, to support customers across the world on site, thus ensuring the availability and value of their investments after equipment commissioning through standardized service processes.